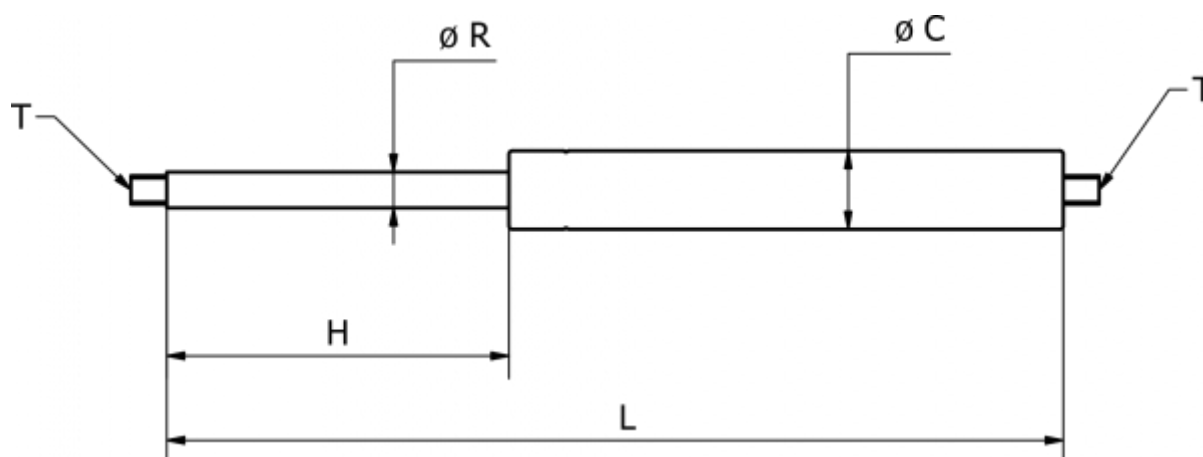


Article number: 04H102301500250

Description: Stabilus IndustryLine gas spring size 10/23
250N length 345mm, stroke 150mm Type 04H1023250

Measures



C = 23

H = 150

L = 345

R = 10

T = M8 x 10